

TL Series Limits Switch Boxes

(mechanical switch, proximity sensor etc.)



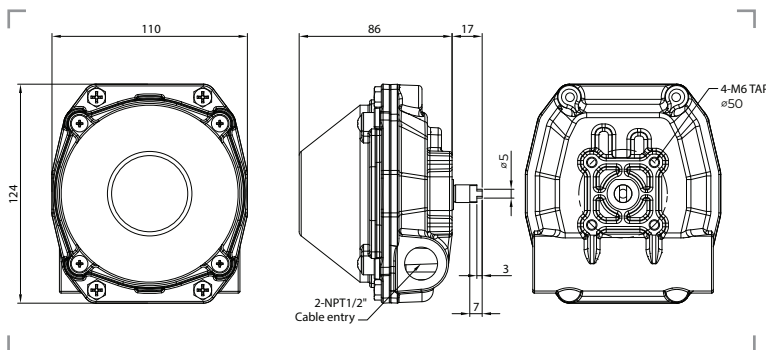
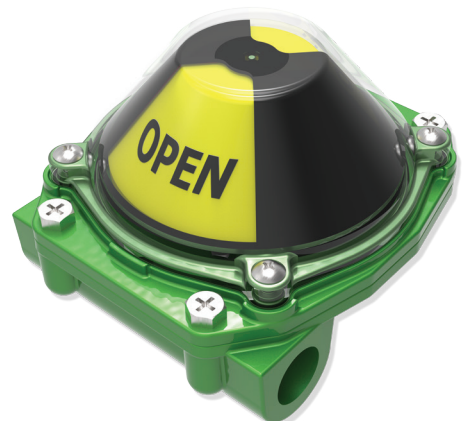
TL Series Limits Switch Boxes

FEATURES

- **SECURING A WIDE FIELD OF VIEW** It is possible to check whether it is opened or closed from a distance through a larger indicator.
- **BUSHING CHANGE BY INSTALLATION ENVIRONMENT** It can be easily replaced by changing the material of the bushing at the lower end of the shaft.
- **QUICK SET CMAS** Trip point of switches in both direction can be adjusted simply by pushing down or up the cam and rotating it to the new position. Cams are spring loaded and splined to ensure repeatability of switch setting. They are fully adjustable through 360 in 4 increments.
- **CORROSION RESISTANT MATERIALS** All exposed components are manufactured from either stainless steel, engineered plastics, or polyester powder coated aluminum for use in all environments.
- **CAPTIVE SCREWS** All cover screws are captive to permit calibration without the potential loss of hardware.

MODEL : TL-1 ** series

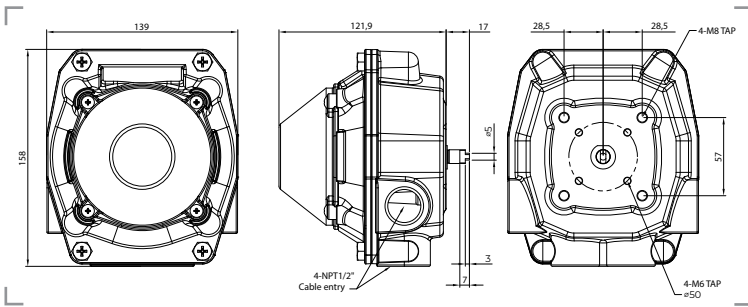
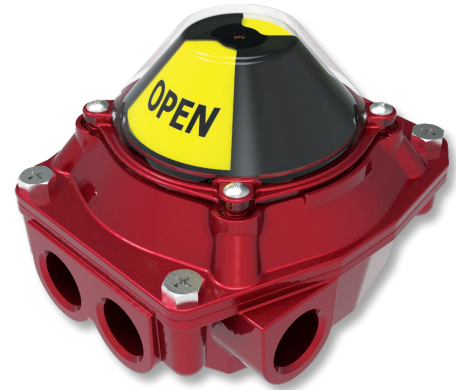
SPECIFICATION	
Material	Aluminum
Cabal entries	2 x NPT 1/2" (standard) M20, PF1/2" etc. (option)
Temperature	-20°+ 80°
Terminal blocks	8 points (wire range : 6-14AWG)
Indicator	Close-Red / Open-Yellow
Switches	Mechanical, proximity
Coating	Black polyester powder coating
Certification	IP 67 (standard)



TL-2** series/TL-8** series

MODEL : TL-2 ** series

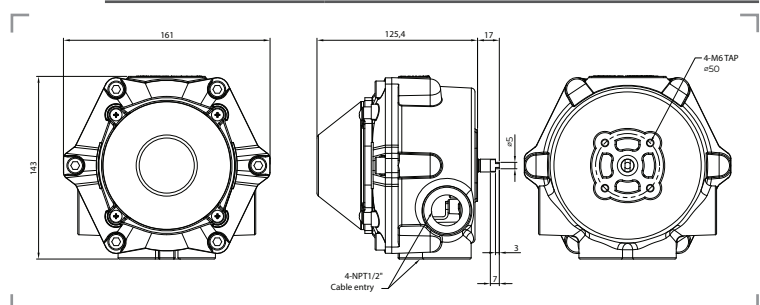
SPECIFICATION	
Material	Aluminum
Cabal entries	4 x NPT 3/4" (standard) M25, PF3/4" etc. (option)
Temperature	-20° + 80°
Terminal blocks	8 points (wire range : 6~14AWG)
Indicator	Close-Red / Open-Yellow
Switches	Mechanical, proximity
Coating	Black polyester powder coating
Certification	IP 67 (standard)



MODEL : TL-8 ** series

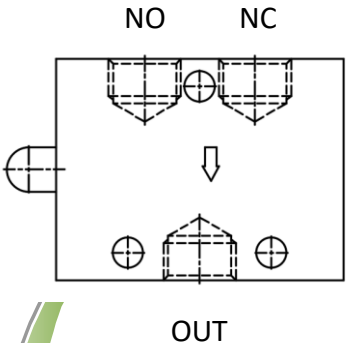


SPECIFICATION	
Material	Aluminum
Cabal entries	4 x NPT 3/4" (standard) M25, PF3/4" etc. (option)
Temperature	-20° + 80°
Terminal blocks	8 points (wire range : 6~14AWG)
Indicator	Close-Red / Open-Yellow
Switches	Mechanical, proximity
Coating	Black polyester powder coating
Certification	Ex d IIC T6

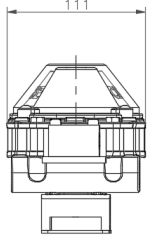
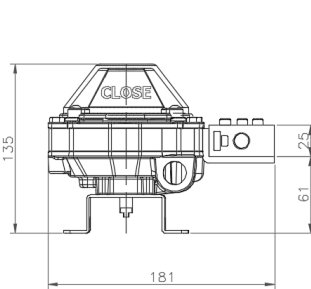
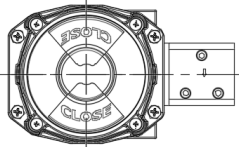
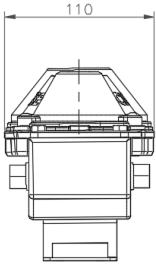
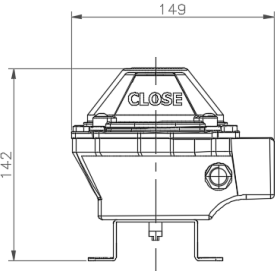
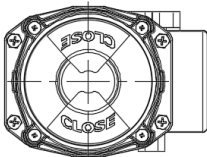
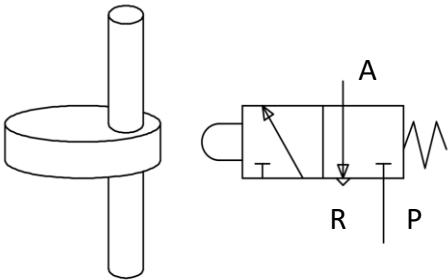


3 port mechanical valve switch + Limits switches POSITION MONITOR BOX

<Mechanical valve>



< Schematic >

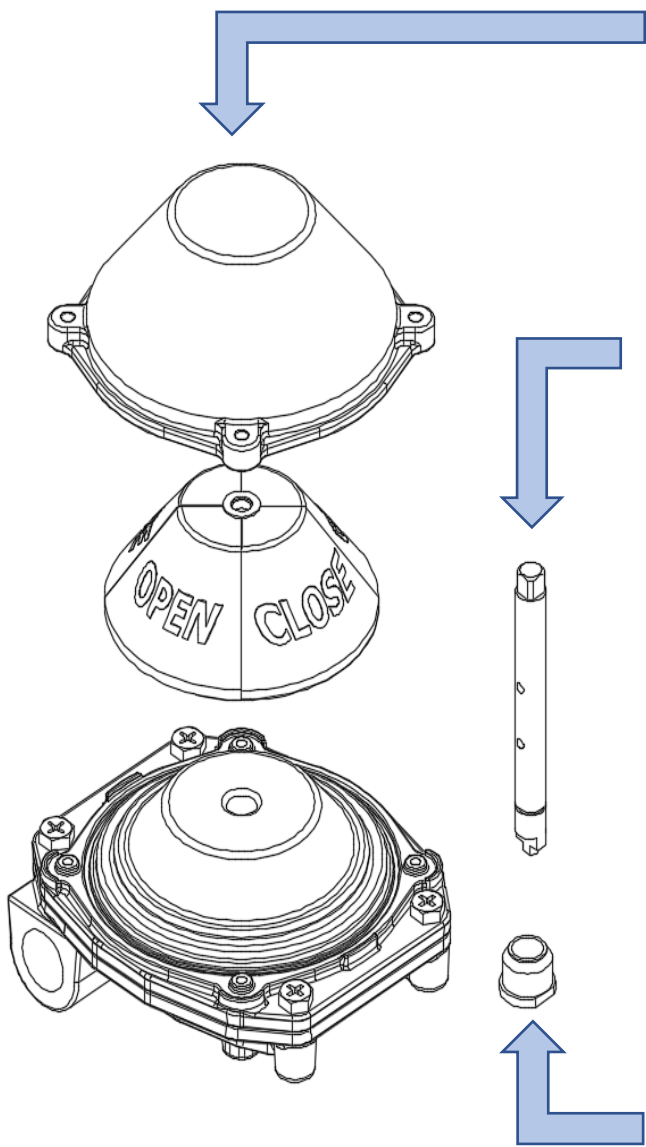


< TH1-801 (insertion type) >

< TH1-811 (exposed type) >

Detailed description of the invention (PATENT)

- Design registration number : 03-1173987, 03-1173988, 03-1173989
- Technical application number : 10-2021-0106920, PCT/KR2021/010916



Secure a visibility

- It is a design that maximizes visibility and can be identified from a distance.

Rotational axis load distribution

- The concentrated load that may occur was alleviated by not applying the sealing part to the rotating shaft.

Easy-to-change external bushing

- Apply external prefabricated bushing that can be used by changing materials at work sites where copper bushing cannot be used.
ex. Stainless steel, Copper, Plastic

Ordering information



Type

- 1 : Water proof & 2-cable entry
- 2 : Water proof & 4-cable entry
- 8 : Explosion proof & 4-cable entry

Switch type

Mechanical switch

- 10 (: 2 x SPDT), 11 (: 3 x SPDT), 12 (: 4 x SPDT), 13 (: 2 x SPST), 14 (: 2 x DPDT), 15 (: 2 x SPDT + PIU)

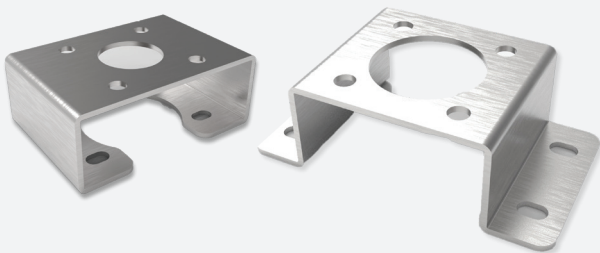
Proximity sensor

- 20 (: P&F NJ2-V3-N), 21 (: PSN17-5DNU), 22 (: P&F NJ4-12GM-N), 23 (: NBB2-V3)

Cable entries size

- 1 (: 2 cable entries 1/2" NPT), 2 (: 2 cable entries M20 x 1.5P)
- 3 (: 2 cable entries 3/4" NPT), 4 (: 2 cable entries M25 x 1.5P)
- 5 (: 4 cable entries 3/4" NPT), 6 (: 4 cable entries M25 x 1.5P)
- Etc. PT, PF (please make an inquiry)

Bracket



- BR-00 (25 X 50 H : 20, stainless)
- BR-50 (30 X 80 H : 20, stainless)
- BR-100 (30 X 80 H : 30, stainless)
- BR-150 (30 X 130 H : 30, stainless)
- BR-200 (30 X 130 H : 50, stainless)

Standard Wiring diagram

