

볼 밸브

일반적으로

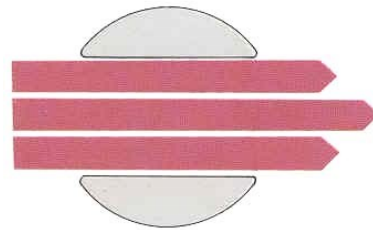
볼 밸브는 여러 서비스 및 중요 공정을 포함한 광범위한 공정 산업 응용 분야를 위해 개발되었습니다.

강력한 공압 액추에이터의 잘 설계된 조합으로, 당사의 헤비 듀티 고 성능 플랜지 볼 밸브에 장착됩니다. 밸브는 테프론 시트와 함께 분할된 2개의 바다로 구성됩니다.

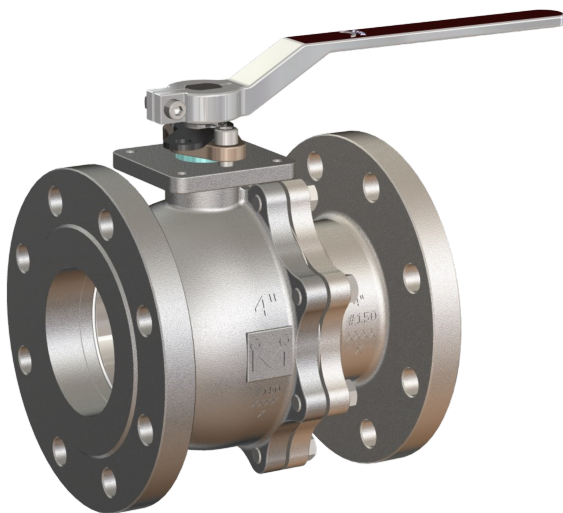
공압 액추에이터는 단일 작동(Fail Open / Close) 또는 이중 작동 옵션을 제공합니다.

설계 특징:

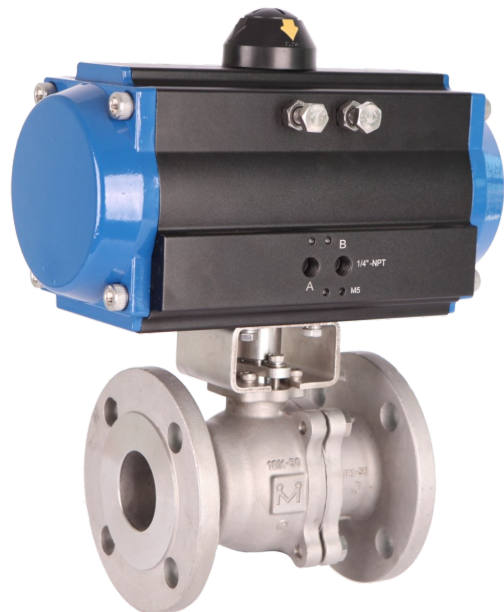
- 더블 액팅 또는 스프링 닫힘 / 열림
- DN15-DN200 / 1/2"-8", Full Bore
- 수동 또는 작동식 구성
- 바디는 수리를 위해 트림을 제거하더라도 파이프라인 힘에 대해 최대 강성을 부여하도록 크기가 조정됨
- 소프트 시트 타입



참고1. 최대 유량



참고2. 수동 볼 밸브



참고3. 공압 볼밸브

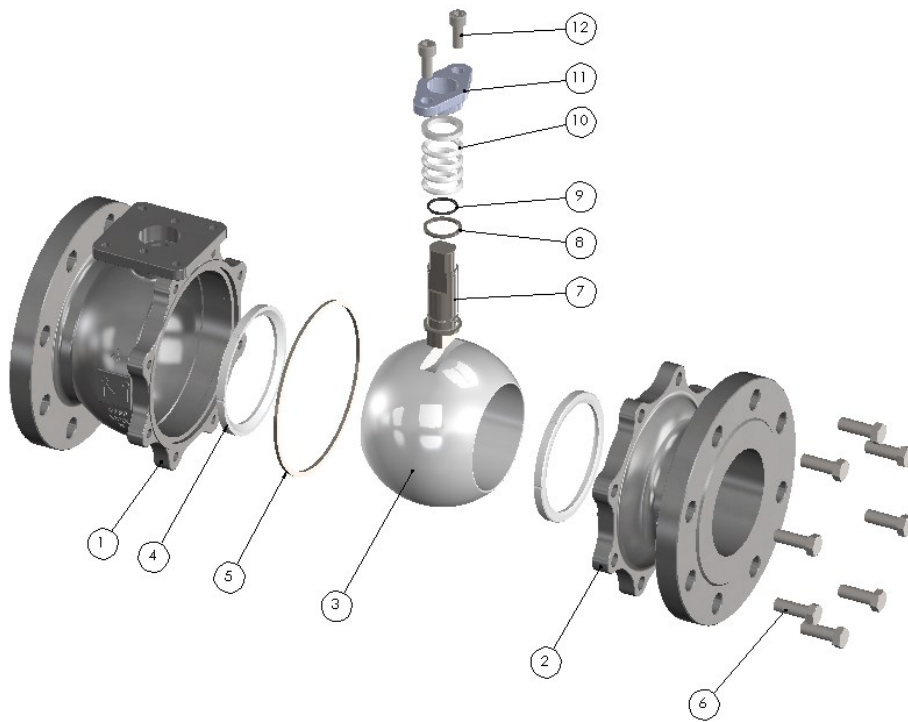
Ball Valve Specifications

Valve Type	Ball Valve										
Valve Model	Series 41										
Body Type	2-Way										
Valve Size (Inch)	1/2	3/4	1	1-1/2	2	2-1/2	3	4	6	8	
(mm)	15	20	25	40	50	65	80	100	150	200	
Valve Cv	28	50	95	260	485	800	1250	2250	4855	10404	
Pressure Rating	JIS 10K										
End Connection	RF Flange										
Body Material	A216 WCB										
Trim Material	Stainless Steel										
Bonnet Type	Plain										
Packing	Teflon										
Seat Type	Soft										
Valve Characteristic	On-Off										

Valve Torque & Actuator Selection

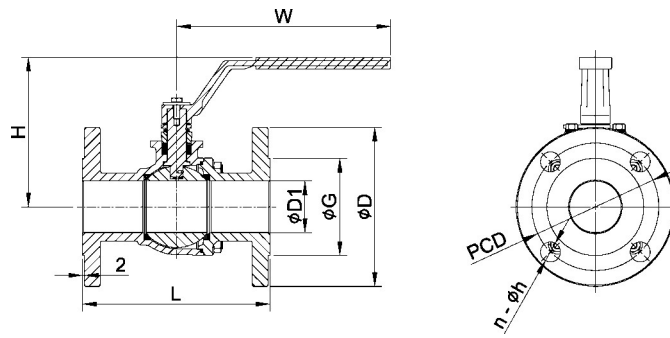
Size (mm) Class	15A	20A	25A	40A	50A	65A	80A	100A	125A	150A	200A
JIS 10K	3	5	5	16	25	50	65	125	-	410	700
SR Actuator	RP05S	RP05S	RP06S	RP08S	RP10S	RP12S	RP12S	RP14S	RP16S	RP19S	RP24S
DA Actuator	RP05D	RP05D	RP05D	RP06D	RP08D	RP10D	RP10D	RP12D	RP14D	RP16D	RP19D
Electric Motor	KE002	KE002	KE002	KE004	KE006	KE010	KE016	KE028	KE040	KE080	KE120

* Based on Actuator Supply Air 5 barg

PART LIST

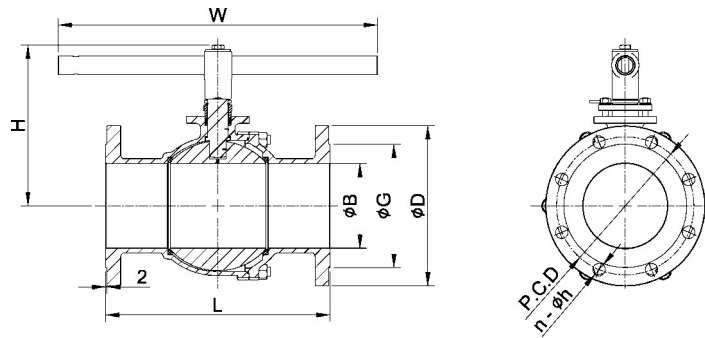
No.	Name
1	Body
2	Bonnet Flange
3	Ball
4	Seat Ring
5	Bonnet Gasket
6	Bolt
7	Stem
8	Thrust Bearing
9	Stem O-ring
10	Packing
11	Gland Flange
12	Gland Flange Bolt

Ball Valve Dimensions

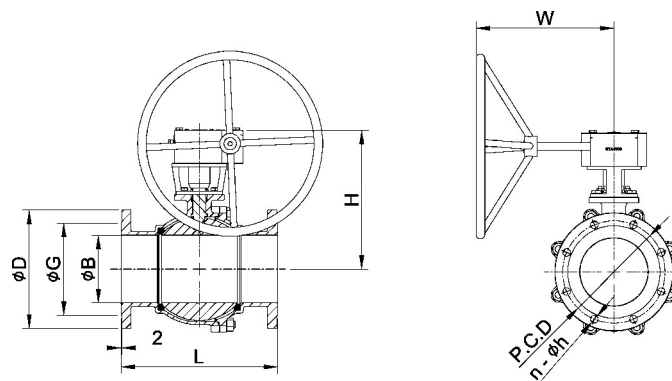


JIS 10K

Size (mm)	ØB	ØG	P.C.D	ØD	N-ØH	L	H	W
15A	15	51	70	95	4-15	108	68	133
20A	20	56	75	100	4-15	117	88	133
25A	25	67	90	125	4-19	127	105	168
40A	38.5	81	105	140	4-19	165	135	203
50A	50	96	120	155	4-19	178	142	203
65A	62	116	140	175	4-19	190	183	338
80A	76	126	150	185	8-19	203	190	338
100A	101	151	175	210	8-19	229	242	453

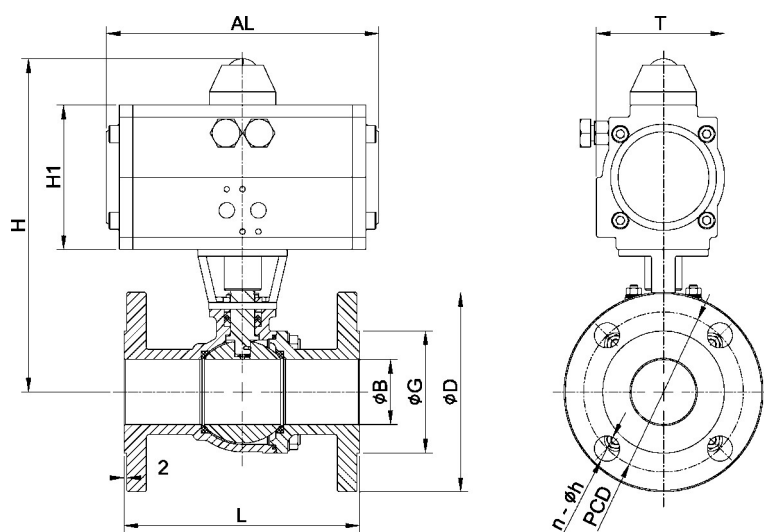


Size (mm)	ØB	ØG	P.C.D	ØD	N-ØH	L	H	W
125A	125	182	210	250	8-23	356	270	560
150A	151	212	240	280	8-23	394	280	560



Size (mm)	ØB	ØG	P.C.D	ØD	N-ØH	L	H	W
200A	201	262	290	330	12-23	457	459	304

Dimension Table (Floating ball valve, Rotary Actuator Assembly)

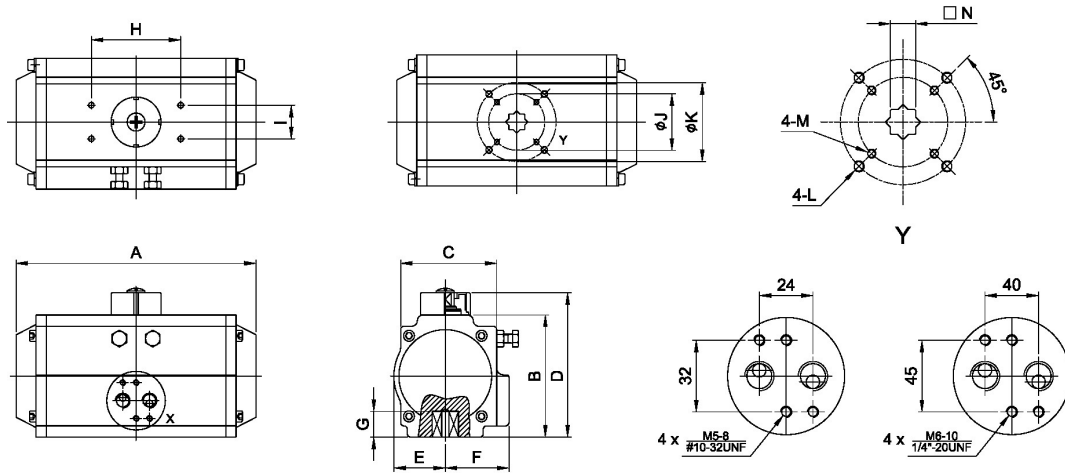


JIS 10K (Spring Return)

Size (mm)	SR Act.	ØB	ØG	P.C.D	ØD	N-ØH	L	H	H1	AL	T
15A	RP05S	15	51	70	95	4-15	108	188	73	147	68
20A	RP05S	20	56	75	100	4-15	117	190	73	147	68
25A	RP06S	25	67	90	125	4-19	127	193	91	170	81
40A	RP08S	38.5	81	105	140	4-19	165	230	109	212	97
50A	RP10S	50	96	120	155	4-19	178	263	135	270	116
65A	RP12S	62	116	140	175	4-19	190	299	157	302	135
80A	RP12S	76	126	150	185	8-19	203	335	157	302	135
100A	RP14S	101	151	175	210	8-19	229	391	174	398	142
125A	RP16S	125	182	210	250	8-23	356	498	201	460	161
150A	RP19S	151	212	240	280	8-23	394	543	232	534	189
200A	RP24S	201	262	290	330	12-23	457	629	290	620	245

JIS 10K (Double Acting)

Size (mm)	DA Act.	ØB	ØG	P.C.D	ØD	N-ØH	L	H	H1	AL	T
15A	RP05D	15	51	70	95	4-15	108	188	73	147	68
20A	RP05D	20	56	75	100	4-15	117	190	73	147	68
25A	RP05D	25	67	90	125	4-19	127	193	73	147	68
40A	RP06D	38.5	81	105	140	4-19	165	230	91	170	81
50A	RP08D	50	96	120	155	4-19	178	263	109	212	97
65A	RP10D	62	116	140	175	4-19	190	299	135	270	116
80A	RP10D	76	126	150	185	8-19	203	335	135	270	116
100A	RP12D	101	151	175	210	8-19	229	391	157	302	135
125A	RP14D	125	182	210	250	8-23	356	498	174	398	142
150A	RP16D	151	212	240	280	8-23	394	543	201	460	161
200A	RP19D	201	262	290	330	12-23	457	629	232	534	189

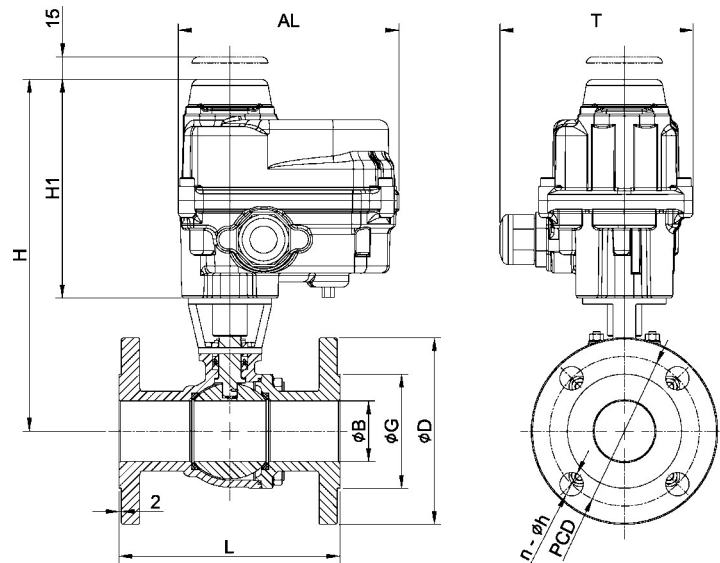


X - 1/4" NAMUR

X- 1/2" NAMUR

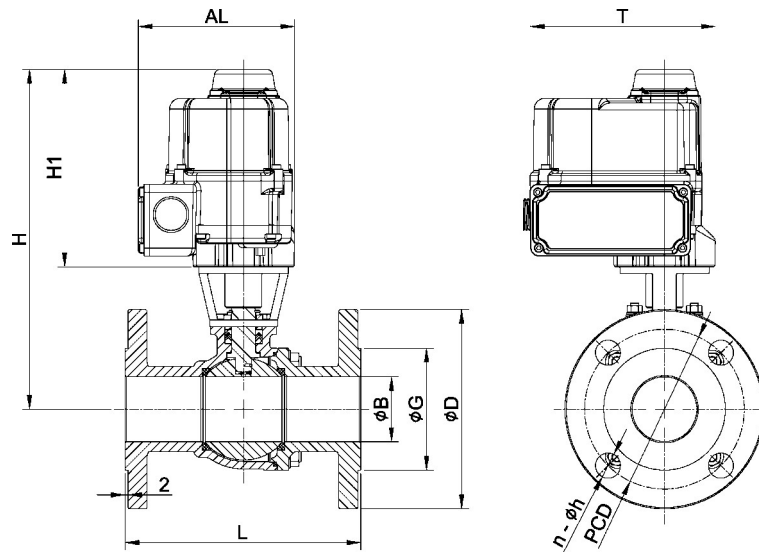
Model	A	B	C	D	E	F	G	H	I	N	J	K	L	M	Air Connection
RP05 S/D	147	72.8	60.5	92	26	41.5	14	80	30	11	F05	F03	M6 x 10	M5 x 7.5	1/4"
RP06 S/D	170	90.5	70	110	33.5	47	17	80	30	14	F07	F05	M8 x 13	M6 x 7.5	1/4"
RP08 S/D	212	109	86	129	40	57	17	80	30	14	F07	F05	M8 x 13	M6 x 10	1/4"
RP10 S/D	270	135	104.8	155	52	64	26	80	30	17	F10	F07	M10 x 16	M8 x 13	1/4"
RP12 S/D	302	157	120	185	60	74.5	25	80	30	22	F10	F07	M10 x 16	M8 x 13	1/4"
RP14 S/D	398	174	125	200	65	77	30	130	30	27	F12	F10	M12 x 20	M10 x 16	1/4"
RP16 S/D	460	201	143	230	74	87	30	130	30	27	F12	F10	M12 x 20	M10 x 16	1/4"
RP19 S/D	534	232	172.8	259	86	103	40	130	30	36	F14	-	M16 x 20	-	1/4"
RP21 S/D	536	265	194	295	97	113	43	130	30	36	F14	-	M16 x 20	-	1/4"
RP24 S/D	620	290	223	320	115	130	50	130	30	46	F16	-	M20 x 25	-	1/4"

Dimension Table (Floating ball valve, Electric Motor Assembly)



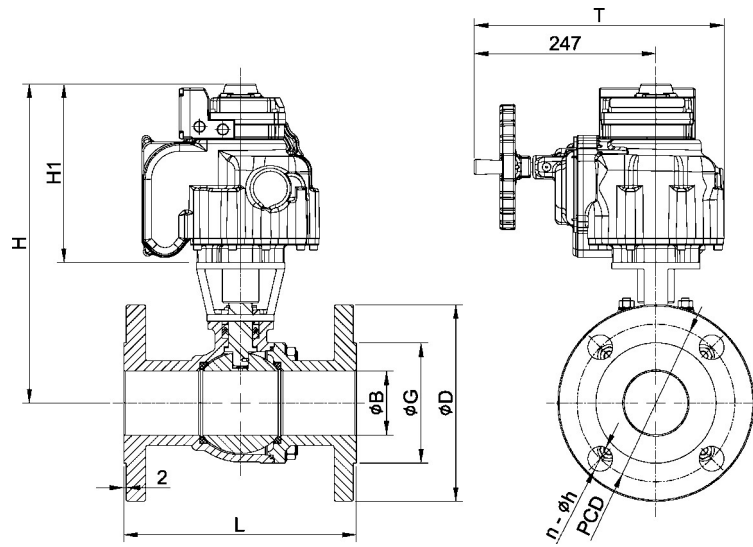
JIS 10K (Electric Motor)

Size (mm)	Elect. Motor	ØB	ØG	P.C.D	ØD	N-ØH	L	H	H1	AL	T
15A	KE002	15	51	70	95	4-15	108	182	104	92	92
20A	KE002	20	56	75	100	4-15	117	182	104	92	92
25A	KE002	25	67	90	125	4-19	127	187	104	92	92



JIS 10K (Electric Motor)

Size (mm)	Elect. Motor	ØB	ØG	P.C.D	ØD	N-ØH	L	H	H1	AL	T
40A	KE004	38.5	81	105	140	4-19	165	225	124	98	117
50A	KE006	50	96	120	155	4-19	178	243	135	111	122
65A	KE010	62	116	140	175	4-19	190	277	133	163	121
80A	KE016	76	126	150	185	8-19	203	340	190	171	157
100A	KE028	101	151	175	210	8-19	229	396	209	209	182
125A	KE040	125	182	210	250	8-23	356	445	209	209	182



JIS 10K (Electric Motor)

Size (mm)	Elect. Motor	ØB	ØG	P.C.D	ØD	N-ØH	L	H	H1	T
150A	KE080	151	212	240	280	8-23	394	530	282	395
200A	KE120	201	262	290	330	12-23	457	591	282	395

Warranty / Remedy

Doctor Valve Inc. warrants goods of its manufacture as being free of defective materials and faulty workmanship for 12 months from the date of shipment, unless otherwise specified. In this period, all of our products claimed by original defects may be returned to our factory after notice and authorization by us. If warranted goods are returned to Doctor Valve Inc. during the period of coverage, it will be repaired or replaced without charge for those items it finds defective. Such defects shall be exclusive of the effects of corrosion, erosion, normal wear or improper handling and storage. In case our engineers have field service, the user shall detach and install valves by his cost. Determination of the suitability of the Products for the use contemplated by the buyer or buyer's customer(s) is the sole responsibility of the buyer in connection therewith. The foregoing is buyer's sole remedy and is in lieu of all other warranties, expressed or implied, including those of merchantability and fitness for a particular purpose.

Specifications are subject to change without notices.



VALVES & CONTROLS

For More Information

Visit our website www.doctorvalve82.cafe24.com

DOCTOR VALVE INC.